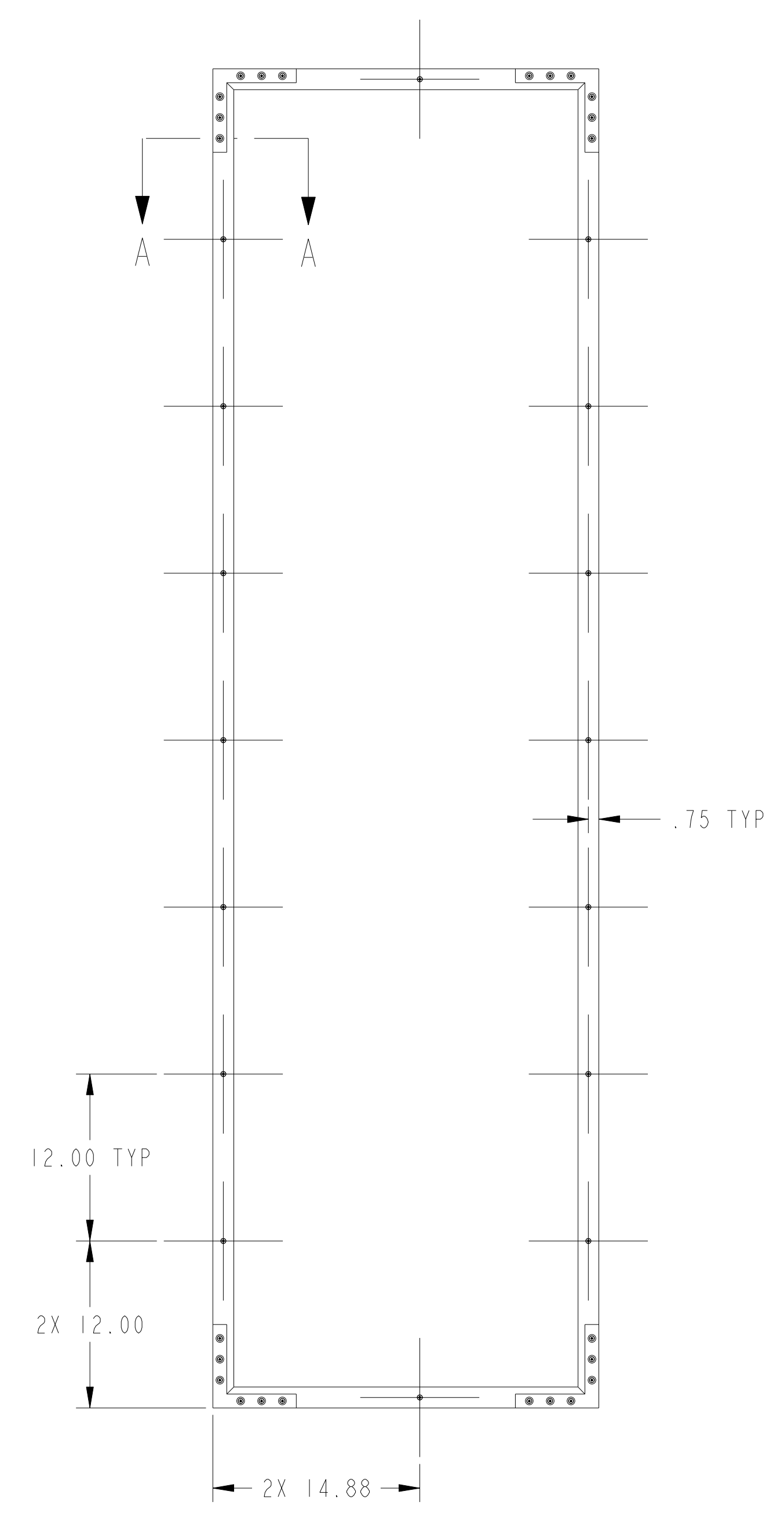
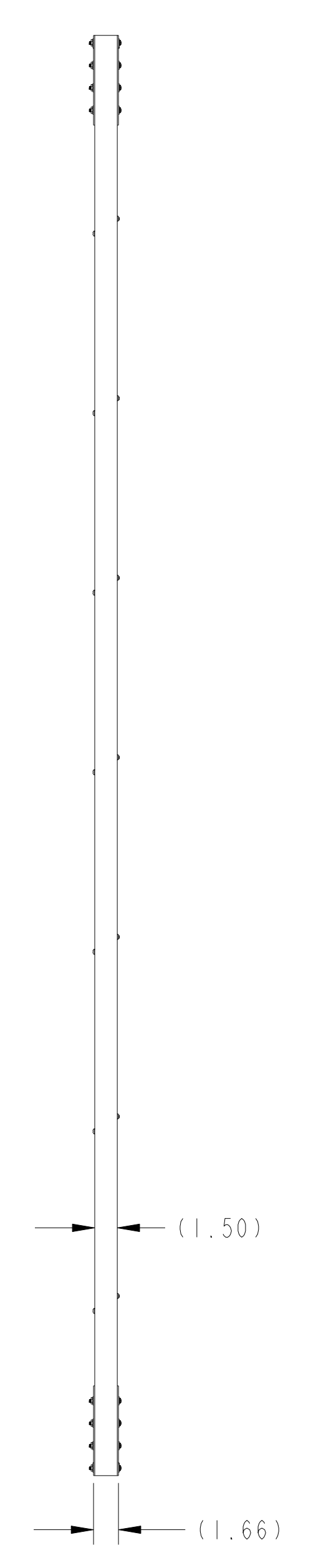
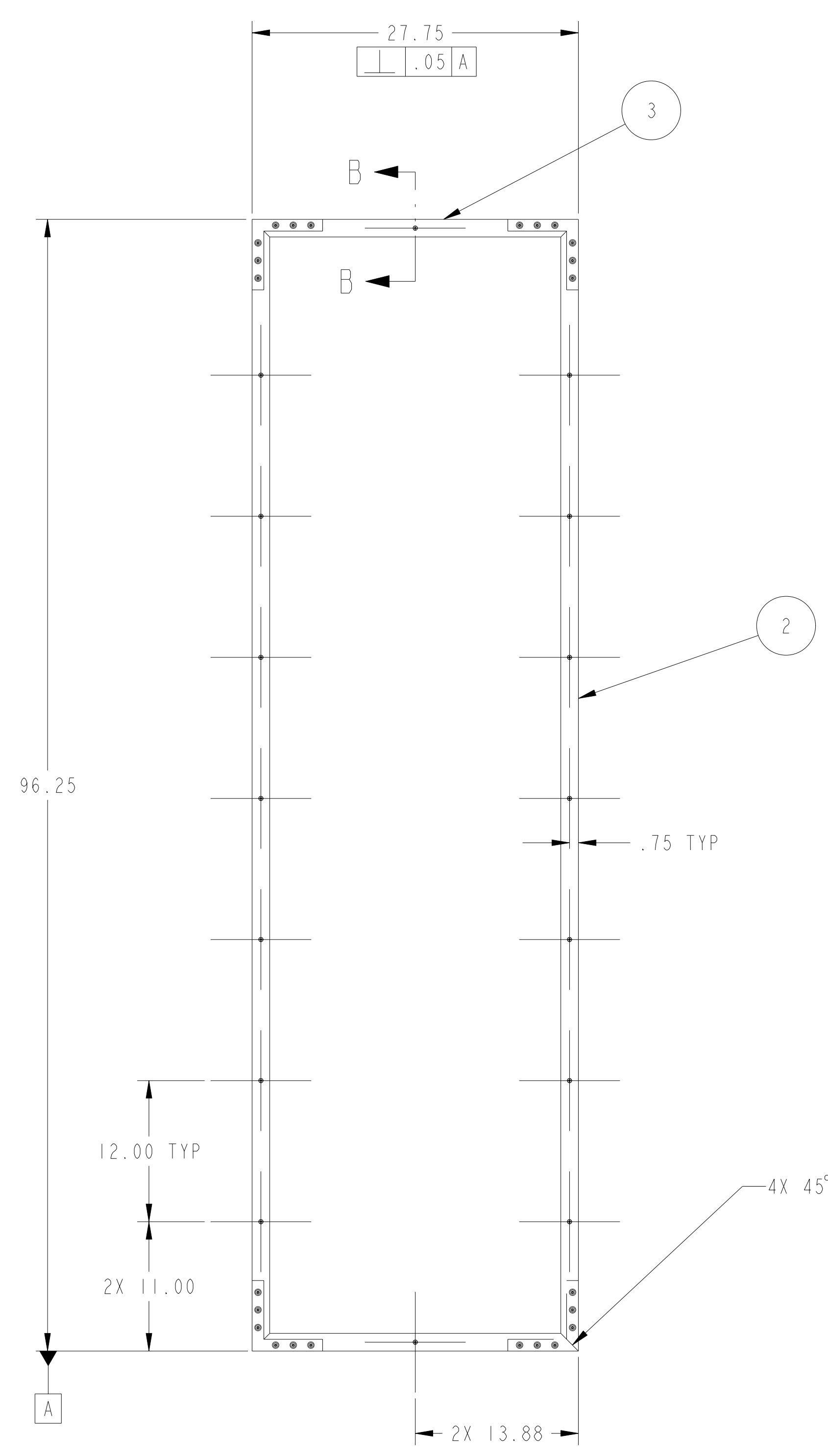
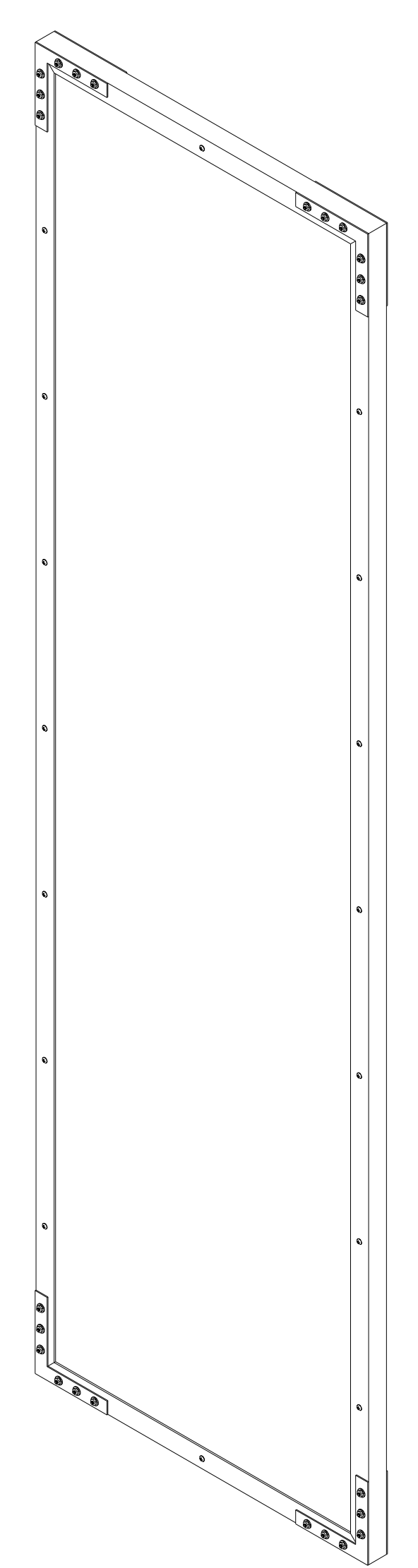
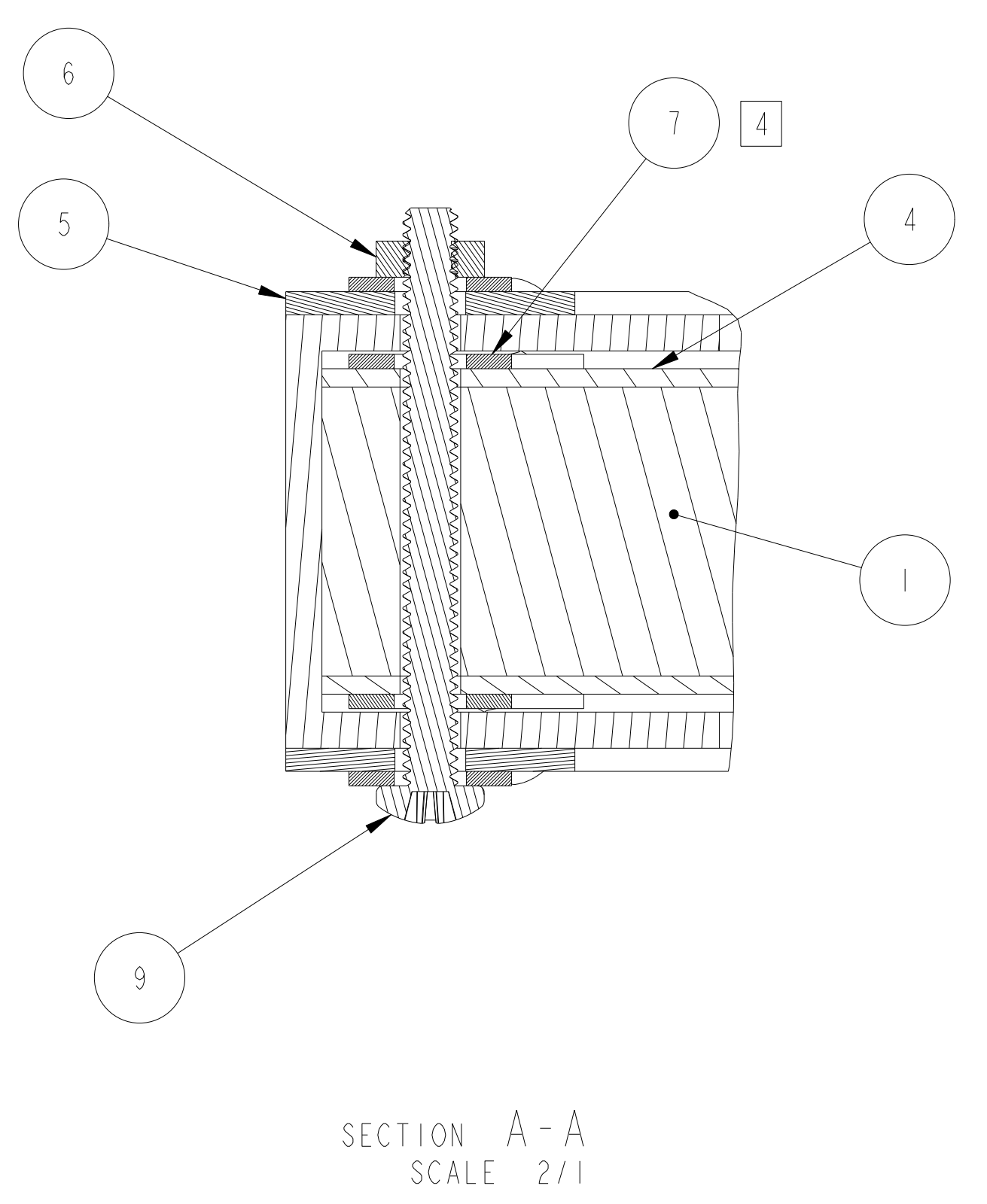
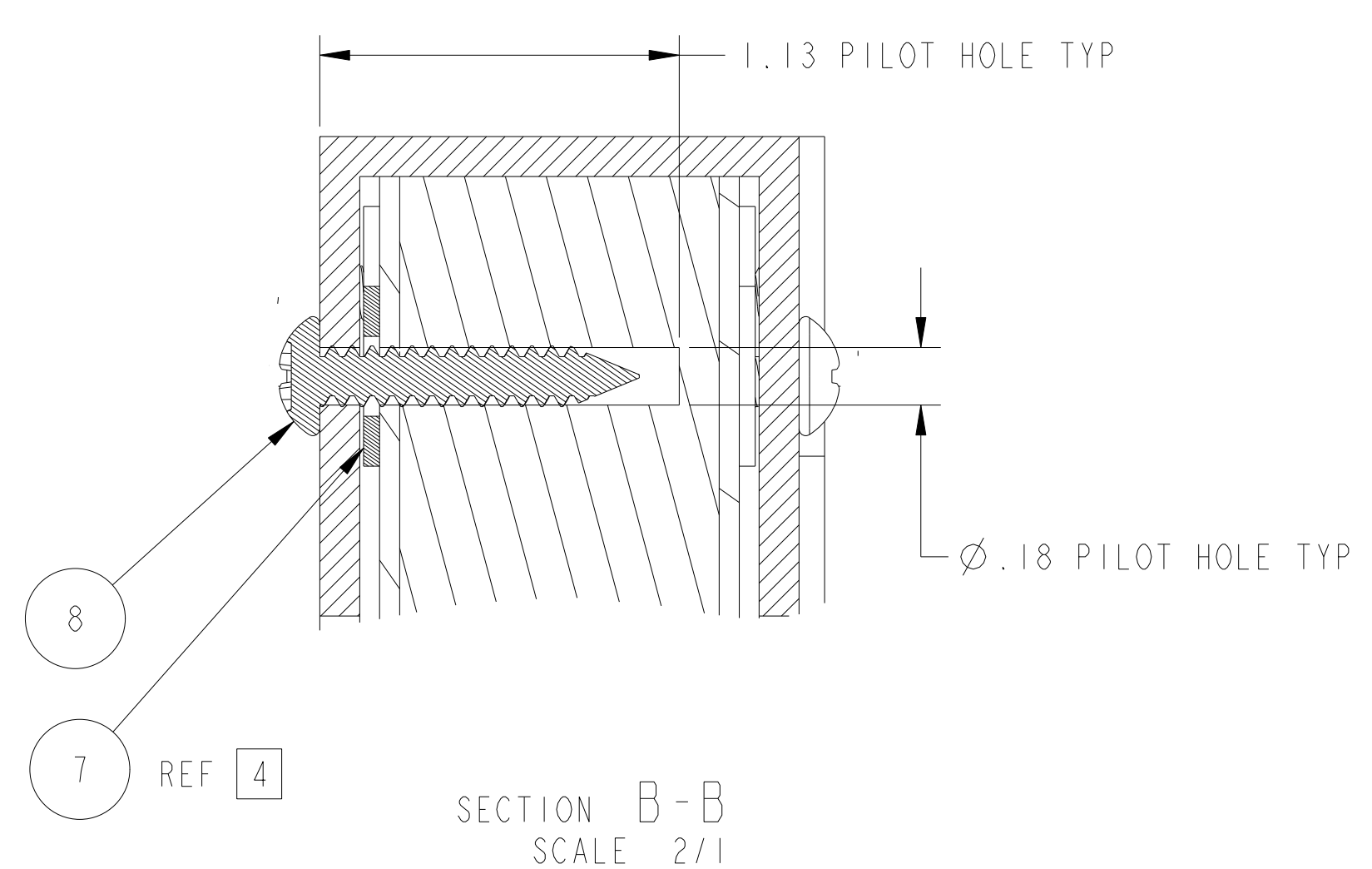


NO REPRESENTATION OR WARRANTY, EXPRESSED OR IMPLIED, IS MADE AS TO THE ACCURACY, COMPLETENESS OR USEFULNESS OF THE INFORMATION OR STATEMENTS CONTAINED IN THESE DRAWINGS, OR THAT THE DISCLOSURE OF ANY INFORMATION, APPARATUS, METHOD OR PROCESS DISCLOSED IN THESE DRAWINGS MAY NOT INFRINGE PRIVATE RIGHTS OF OTHERS. NO LIABILITY IS ASSUMED WITH RESPECT TO THE USE OF, OR FOR DAMAGES RESULTING FROM THE USE OF, ANY INFORMATION, APPARATUS, METHOD OR PROCESS DISCLOSED IN THESE DRAWINGS. DRAWINGS MADE AVAILABLE FOR INFORMATION TO BIDDER ARE NOT TO BE USED FOR OTHER PURPOSES AND ARE TO BE RETURNED UPON REQUEST OF THE FORWARDING CONTRACTOR.

REVISIONS											
REV ID	TYPE	DESCRIPTION OF CHANGE	DES	DET	CK	ENG	TL	GL	CE	VER	DATE
1		FIXED DESCRIPTION ERROR ON F/N 1 & F/N 4	SCR								



- NOTES:
- 1 McMASTER CARR  
404-346-7000  
MCMMASTER.COM
  - 2 ONLINE METALS.COM  
800-704-2157
  - 3 SHIELDWERX LLC  
505-892-5144  
WWW.SHIELDWERX.COM
  - 4 F/N7 (WASHERS) ARE USED TO REMOVE SPACE BETWEEN F/N 2 AND F/N 4  
SPACE BETWEEN F/N 3 AND F/N 4

FIND NO	QTY	PART OR IDENTIFYING NUMBER	DESCRIPTION OR NOMENCLATURE	MATERIAL / SPECIFICATION	TOTAL WEIGHT
1	9	24 90272A253	#10 -24 UNC PAN HEAD 2" LONG	ZINC PLATED STEEL	---
1	8	32 90190A247	#10 PAN HEAD SHEET METAL SCREW 1" LONG	ZINC PLATED STEEL	---
4	1	7 128 90108A411	WASHER 1/4" ID 9/16"OD FLAT	ZINC PLATED STEEL	---
1	6	24 90480A011	NUT, 10-24 X 1/8" HEIGHT	STEEL ZINC-PLATED	---
1	5	8 1558A23	L SHAPE BRACKET 6" LONG	---	---
2	4	2 FUND13N3HE55M8U8713A004-04	96" x 27.5" x .062 THK SHEET	ALUMINUM 6061-T6 ASTM B209	---
3	2	FUND13N3HE55M8U8713A004-03	1-1/2 ARCHITECTURAL CHANNEL	ALUMINUM 6063-T52 ASTM B221	---
2	2	FUND13N3HE55M8U8713A004-02	1-1/2 ARCHITECTURAL CHANNEL	ALUMINUM 6063-T52 ASTM B221	---
3	1	1 FUND13N3HE55M8U8713A004-01	SNX-201 96" X 27.5" X 1" THK SHEET	SR BORATED POLYETHYLENE	---
				TOTAL WEIGHT	155 LBS

<b>QUALITY VERIFICATION</b> DOCUMENTS REQUIRED: MATERIAL MILL TEST REPORT, LEAK TEST REPORT, CLEANING CERT, WELD / BRATE INSPECTION REPORT, HEAT TREAT REPORT (W/CHART), DIMENSIONAL REPORT, MATERIAL SELLER CERT, FUNCTIONAL TEST REPORT, DEVIATION REQUEST, NONCONFORMANCE REPORT.		DIMENSIONS ARE IN INCHES DRAFTING STANDARD: ASME Y14.100 DIMENSIONING AND TOLERANCING IN ACCORDANCE WITH ASME Y14.5M-2009 DO NOT SCALE DRAWING DEFAULT TOLERANCES: LINEAR: ±.01 ANGULAR: ±.5° SURFACE ROUGHNESS: 125 RMS MAX REMOVE ALL BURRS AND BREAK SHARP EDGES: .060	<b>APPROVALS</b> DESIGNER: S ROY DATE: 7/7/2014 CHECKER: ENGINEER: TEAM LEAD: GROUP LEAD: CHIEF ENGR: VERIFIER: CONTROL SYSTEM: 4 RELEASE:	THIS DRAWING IS THE PROPERTY OF <b>OTM OAK RIDGE NATIONAL LABORATORY</b> DEPARTMENT OF ENERGY UNDER U.S. GOVERNMENT CONTRACT DE-AC05-00OR22725 <b>NEUTRON SCIENCES</b> N3HE EXPERIMENT NEUTRON SHIELDING DOOR ASSEMBLY SMALL SIZE: 1/8 DRAWING NUMBER: E FUND13N3HE55M8U8713A004 MODEL: FUND13N3HE55M8U8713A004 MODEL REV: 1 SHEET: 1 of 1 THIS DRAWING PREPARED ON ProENGINEER
---	--	---	--	---